



INSTRUCTIONS

2610F Series Wall Mount Open Pocket Single Door

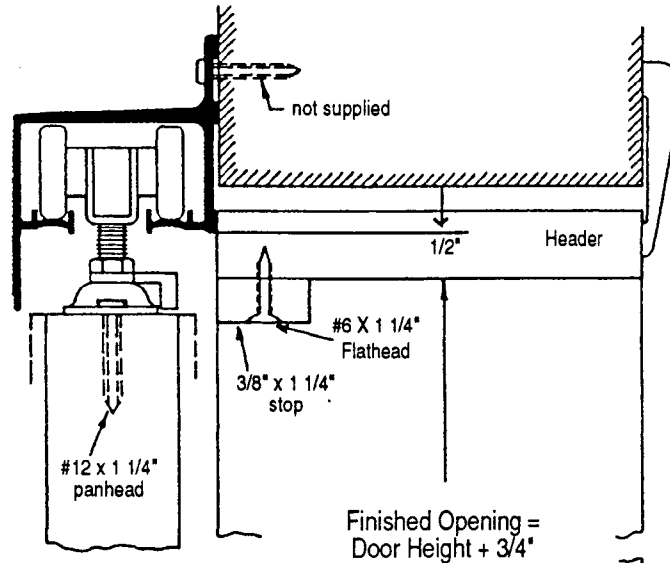
For one 1 3/8" or 1 3/4" door up to 125 lbs.

Prepare opening to dimensions shown. (or if existing opening, size door to fit)

Mount track to wall. Drill holes in upper flange of track at stud locations, or where a solid anchor is assured. Horizontal location of track is not critical and is governed by design of trim. TRACK MUST BE PERFECTLY LEVEL, however, or door will not stay in position. Fasten at least 1/2" above bottom of header.

Dismantle 12 Guide and fasten base to jamb at floor.

Insert hanger wheels into track. Alternate 2 wheel side of hanger so that 3 wheels are on each track leg for even weight distribution. Measure 2" (50mm) in from each edge. Fasten hanger plates on center with #12 X 1 1/4" (32mm) pan head screws. Make sure both nylon lock tabs are on the non-fascia side.



ALTERNATE WHEEL POSITIONS IN TRACK FOR EVEN WEIGHT DISTRIBUTION

Hold door in opening and slip pivot pin into slot in door plate. When both pivots are seated, lock in place with locking tab. Reinsert front part of 12 Guide into base and move in until a slight clearance is obtained. Fasten Guide together with two screws.

Position door over opening until desired closure is obtained and back edge of door is still in #12 guide. Fasten one 1155 STOP to limit door travel. Open door until door is flush with jamb face and fasten other 1155 STOP to limit opening travel of door.

Drill door 36" from floor to fit pulls, and install.

Trim around opening as desired.

Attach 3/8" X 1 1/4" stop (not included) at edge of header with #6 X 1 1/4" flat head screws.

If required for alignment, adjust hangers with wrench.

