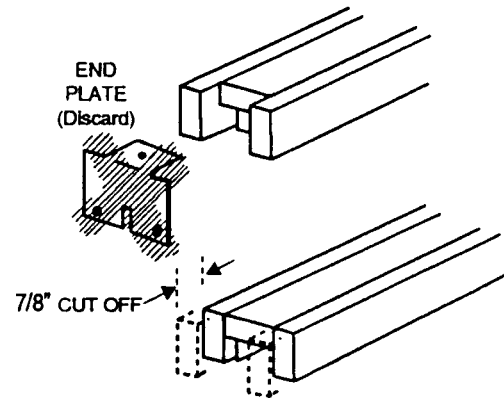
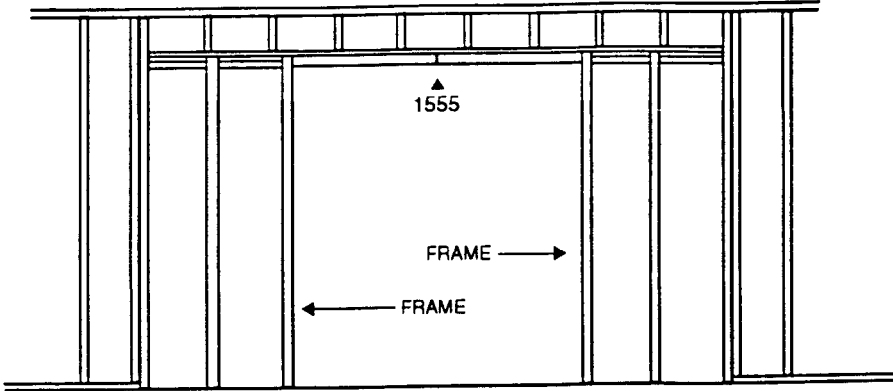




# INSTRUCTIONS

## 1555 CONVERGING DOOR KIT

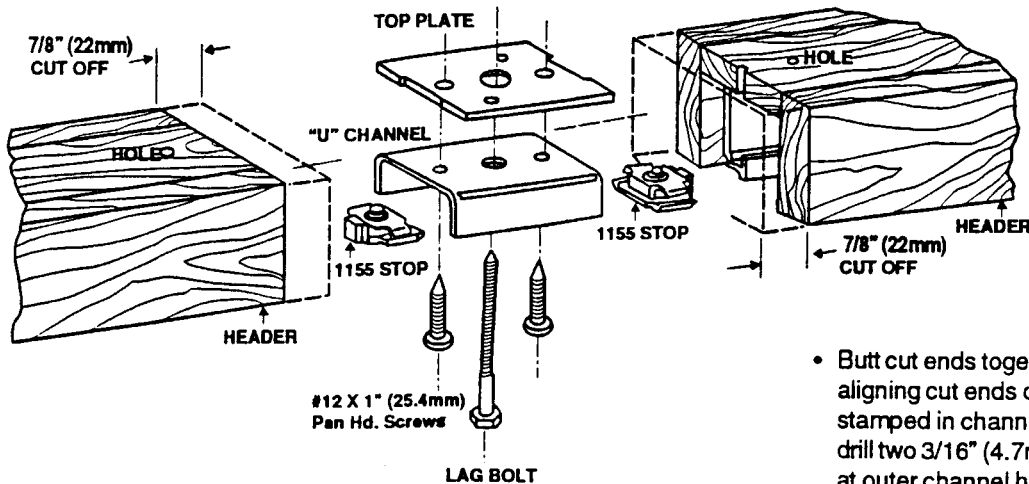
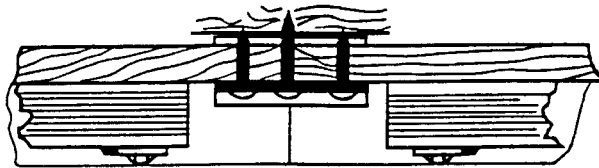
FOR USE WITH TWO JOHNSON  
1500, 2511, 2710 OR 2711 SERIES  
POCKET DOOR FRAMES



- Remove and discard end plates from "door opening" end of each header.
- Cut 7/8" (22mm) from length of each header (wood part only) where discarded end plates had been located. Cut ends square to keep header straight when joined.

**FOR 1500 AND 2511 SERIES:**  
ROUGH OPENING WIDTH IS FOUR TIMES DOOR WIDTH  
**FOR 2710/2711 SERIES:**

ROUGH OPENING WIDTH IS FOUR TIMES DOOR WIDTH PLUS 1-1/2" (38mm)



- Butt cut ends together and insert "U" channel, aligning cut ends of headers with center mark stamped in channel. Using channel as guide, drill two 3/16" (4.7mm) holes through headers at outer channel holes. Insert screws through these holes and into top plate on top of header. Tighten, forming a one-piece header.
- Drill a 1/4" (6.3mm) hole at channel center where header ends meet to enable the lag screw to be fastened into rough header for increased center support.
- Insert stops into track and leave loose until doors are hung, then tighten. Proceed with regular frame assembly instructions.

### 1555PPK3 CONVERGING DOOR KIT

For joining two Johnson 1500, 2511, 2710 or 2711 Pocket Door Frames

- Remove and discard end plates from "door opening" end of each header.
- Cut 7/8" (22mm) from length of each header (wood part only) where discarded end plates had been located. Cut ends square to keep header straight when joined.

